

## D TYPE FENDERS

### DD & DO FENDERS

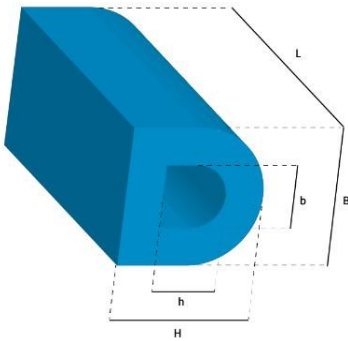
The Rubber Company manufactures a range of D Fenders, both hollow and solid to meet a wide variety of requirements, sizes from 20mm up to 500mm in various D formats.

D fenders provide an excellent barrier protection for Port sides, vessels, trucks and loading bays. They are used to absorb the kinetic energy of a boat or vessel berthing against a jetty, quay wall or other vessel to prevent damage. Also used at loading bays for lorry's and trucks and any other uni protective barrier is required e.g. go karting track.



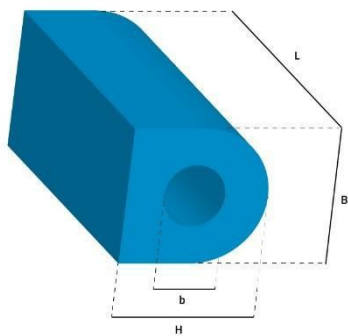
PERFORMANCE AT 50% DEFLECTION

### DD FENDERS



Product Reference	Base [B] x Height [H]	D Bore [b] x [h]	R (Ton/m)	E (Ton-M/m)
TRC-DD100	100mm x 100mm	50mm x 50mm	11.0	0.15
TRC-DD150	150mm x 150mm	75mm x 75mm	14.3	0.36
TRC-DD200	200mm x 200mm	100mm x 100mm	19.0	0.63
TRC-DD250	250mm x 250mm	125mm x 125mm	23.4	0.98
TRC-DD300	300mm x 300mm	150mm x 150mm	28.5	1.42
TRC-DD350	350mm x 350mm	175mm x 175mm	38.5	1.91
TRC-DD400	400mm x 400mm	200mm x 200mm	38.0	2.52

### DO FENDERS



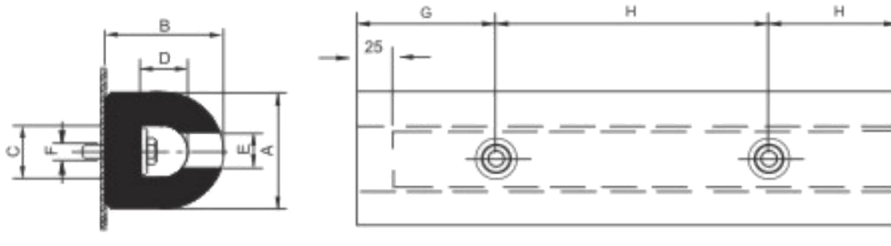
Product Reference	Base [B] x Height [H]	Bore [b]	R (Ton/m)	E (Ton-M/m)
TRC-DO100	100mm x 100mm	50mm	19.0	0.15
TRC-DO150	150mm x 150mm	75mm	21.8	0.36
TRC-DO200	200mm x 200mm	100mm	29.0	0.63
TRC-DO250	250mm x 250mm	125mm	36.3	1.09
TRC-DO300	300mm x 300mm	150mm	43.5	1.58
TRC-DO350	350mm x 350mm	175mm	51.0	2.15
TRC-DO400	400mm x 400mm	200mm	56.0	2.81

E: [sales@therubbercompany.com](mailto:sales@therubbercompany.com) W: [www.therubbercompany.com](http://www.therubbercompany.com)

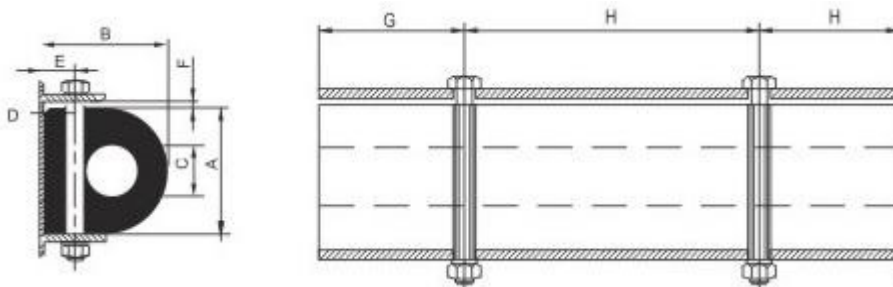
The information contained on this product information sheet is to be used as guidance. The advice is given in good faith and does not constitute any guarantee or recommendation for suitability. The Rubber Company cannot be held liable for any damage caused by incorrect installation. We hereby reserve the right to change the technical information herewith without notification or prior agreement.



## DRILLING HOLES & INSTALLATION OF TRC'S D FENDERS



A	B	C	D	E	F	G	H	Flat Bar	Bolt Size
100	100	50	50	30	15	90-130	200-300	40x5	M12
120	120	60	60	30	15	90-130	200-300	40x5	M12
150	150	75	75	40	20	110-150	250-300	60x8	M16
200	200	100	100	50	25	130-180	300-400	80x10	M20
250	250	125	125	60	30	140-200	350-450	90x12	M24
300	300	150	150	60	30	140-200	350-450	100x12	M24
400	400	200	200	75	35	140-200	350-450	150x15	M30



A	B	C	D	E	F	G	H	Flat Bar	Bolt Size
100	100	50	15	25	10	90-130	200-300	50x6	M12
125	125	50	15	25	12	90-130	200-300	50x6	M12
150	150	60	20	30	12	110-150	250-350	60x8	M16
200	200	100	25	45	15	130-180	300-400	80x10	M20
250	250	100	30	50	20	140-200	350-450	100x10	M24
300	300	125	30	60	25	140-200	350-450	110x12	M24
400	400	200	35	80	30	140-200	350-450	130x15	M30

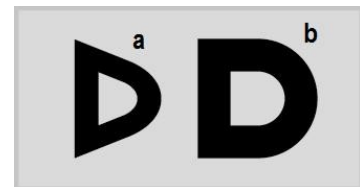
E: [sales@therubbercompany.com](mailto:sales@therubbercompany.com) W: [www.therubbercompany.com](http://www.therubbercompany.com)

The information contained on this product information sheet is to be used as guidance. The advice is given in good faith and does not constitute any guarantee or recommendation for suitability. The Rubber Company cannot be held liable for any damage caused by incorrect installation. We hereby reserve the right to change the technical information herewith without notification or prior agreement.

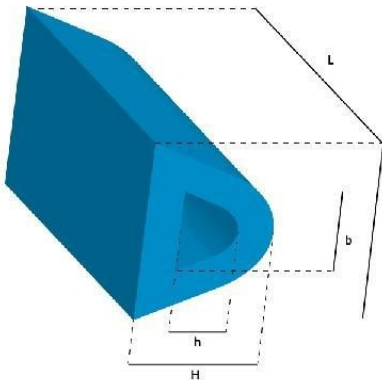
# DELTA FENDERS

They can be installed either into a channel or bolted directly on to the required surface. Our D Fenders can be drilled, pre-curved, chamfered and cut to specific lengths to assist installation and meet requirements of application. The D Fender is produced through a die using the extrusion method. We have a range of standard sizes but using CAD we can help design bespoke profiles for your own special requirements.

We use a specially compounded SBR/Natural blend elastomer, which is highly resistant to degradation, UV radiation and seawater. Technical specified elastomers can be produced to meet the customer's individual requirements including EPDM & Neoprene. Available in black and non-marking grey colours.

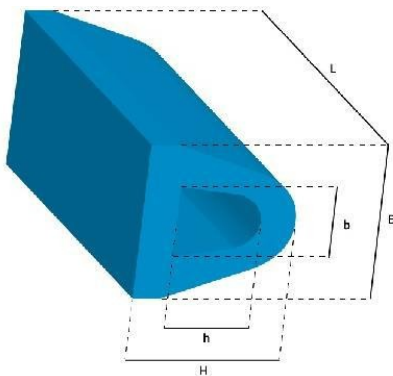


## SMALL D FENDERS



Product Reference	Fender Size		Bore Size	
	Base [B]	Height [H]	Base [b]	Height [h]
TRC-DH24	24	16	16	10
TRC-DH32	32	24	24	11
TRC-DH48	48	32	29	16
TRC-DH64	64	41	38	19
TRC-DH70	70	60	42	40
TRC-DH80	80	65	42	40
TRC-DH114	114	95	57	51

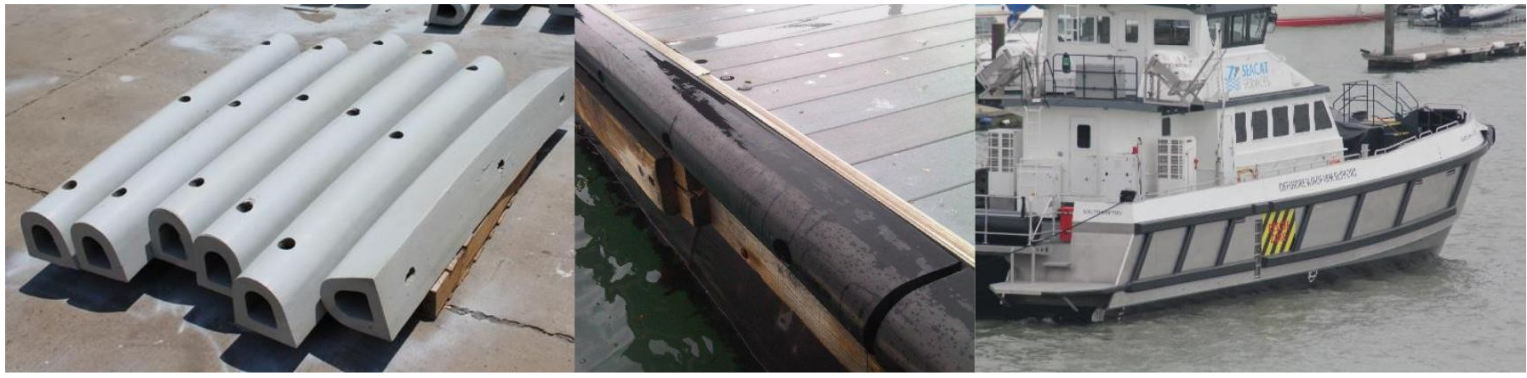
## DELTA FENDERS



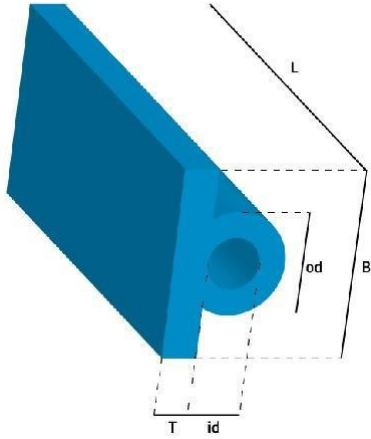
Product Reference	Fender Size		Bore Size	
	Base [B]	Height [H]	Base [b]	Height [h]
TRC-D40	40	22	20	12
TRC-D60	60	52	30	30
TRC-D80	80	70	40	40
TRC-D110	110	95	55	55
TRC-D150	150	130	75	75

E: [sales@therubbercompany.com](mailto:sales@therubbercompany.com) W: [www.therubbercompany.com](http://www.therubbercompany.com)

The information contained on this product information sheet is to be used as guidance. The advice is given in good faith and does not constitute any guarantee or recommendation for suitability. The Rubber Company cannot be held liable for any damage caused by incorrect installation. We hereby reserve the right to change the technical information herewith without notification or prior agreement.

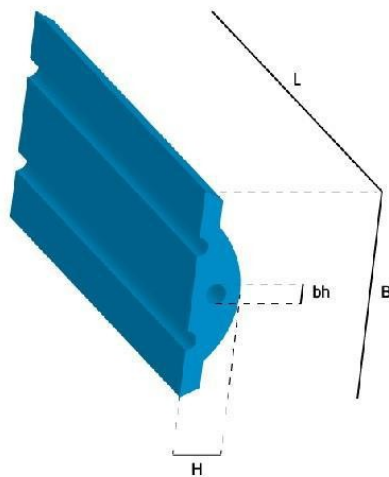


## WINGED D FENDERS / M7, M8, M9 & M10 D FENDERS

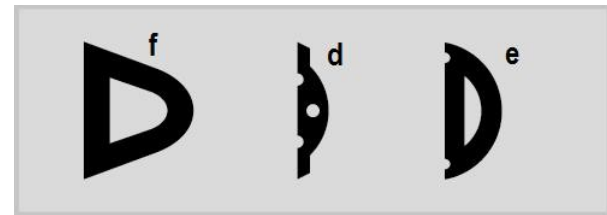


### WINGED D FENDERS

Product Reference	Base [B]	Fender Size Dia. Ext [od]	Dia. Int. [id]	Base [T]
TRC-DW180	180mm	100mm	60mm	20mm
TRC-DW240	245mm	150mm	75mm	30mm
TRC-DW320	320mm	200mm	100mm	40mm
TRC-DW410	410mm	250mm	125mm	75mm



### M7, M8, M9 & M10 D FENDERS



Product Reference	Fender Size Base [B]	Fender Size Height [H]	Bore Size Base [b] x Height [h]
d M7	162mm	54mm	29mm Dia.
d M8	229mm	83mm	35mm Dia.
e M10	159mm	57mm	83mm x 25mm
f M9	203mm	114mm	79mm x 54mm

E: [sales@therubbercompany.com](mailto:sales@therubbercompany.com) W: [www.therubbercompany.com](http://www.therubbercompany.com)

The information contained on this product information sheet is to be used as guidance. The advice is given in good faith and does not constitute any guarantee or recommendation for suitability. The Rubber Company cannot be held liable for any damage caused by incorrect installation. We hereby reserve the right to change the technical information herewith without notification or prior agreement.